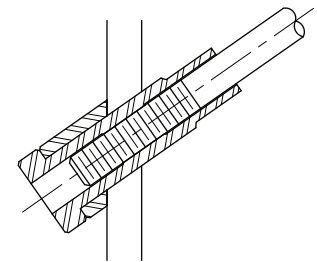


Railing Components

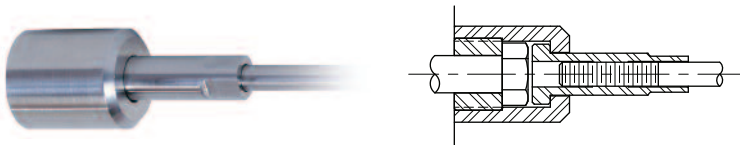
Medium strength rod is ideal for railing infill. Its smooth brushed surface makes it easy to keep clean, and its high yield strength makes it virtually kink-proof. The most frequently used fitting is the adjusting nipple, which serves as both a length adjuster and rod termination. Beveled washers are available to accommodate any stair angle. Washers can also be coped to accommodate round stanchions. Nipple tangs, either straight or swivel, are used for attaching to wood stanchions or walls. Thread-concealing turnbuckles are used for mid-span adjustment. All railing fittings are designed to conceal the rod threads for a completely clean appearance. Fittings are type 304 stainless steel with a brushed finish. Other materials and finishes are available on a custom basis.



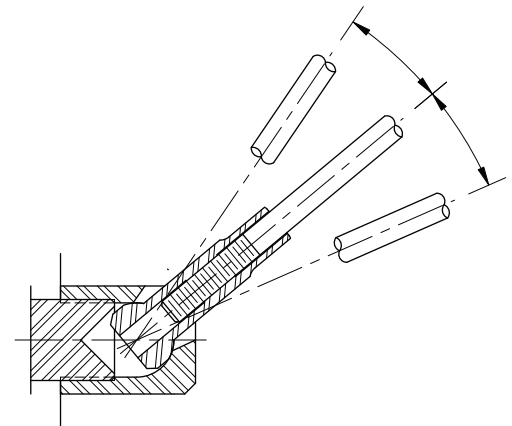
Adjusting Nipple					
Part Number	Rod Diameter inch (mm)	Head Diameter inch (mm)	Shank Diameter inch (mm)	Length inch (mm)	Take Up inch (mm)
B101-188	0.188 (4.8)	0.562 (14.3)	0.375 (9.5)	1.625 (41.3)	0.625 (15.9)
B101-250	0.250 (6.4)	0.625 (15.9)	0.437 (11.1)	1.625 (41.3)	0.625 (15.9)



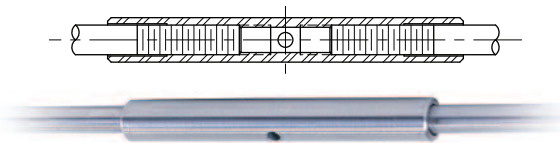
Beveled Washer with Adjusting Nipple



Nipple Tang Assembly					
Part Number	Rod Diameter inch (mm)	Cap Diameter inch (mm)	Bolt Diameter inch (mm)	Length inch (mm)	Take Up inch (mm)
B115-188	0.188 (4.8)	1.0 (25.4)	3/8 (9.5)	1.20 (30.5)	0.625 (15.9)
B115-250	0.250 (6.4)	1.0 (25.4)	3/8 (9.5)	1.20 (30.5)	0.625 (15.9)



Swivel Tang Assembly



Thread-Concealing Turnbuckle				
Part Number	Rod Diameter inch (mm)	Diameter inch (mm)	Length inch (mm)	Take Up inch (mm)
B120-188	0.188 (4.8)	0.313 (7.9)	3.0 (76.2)	1.0 (25.4)
B120-250	0.250 (6.4)	0.375 (9.5)	3.0 (76.2)	1.0 (25.4)